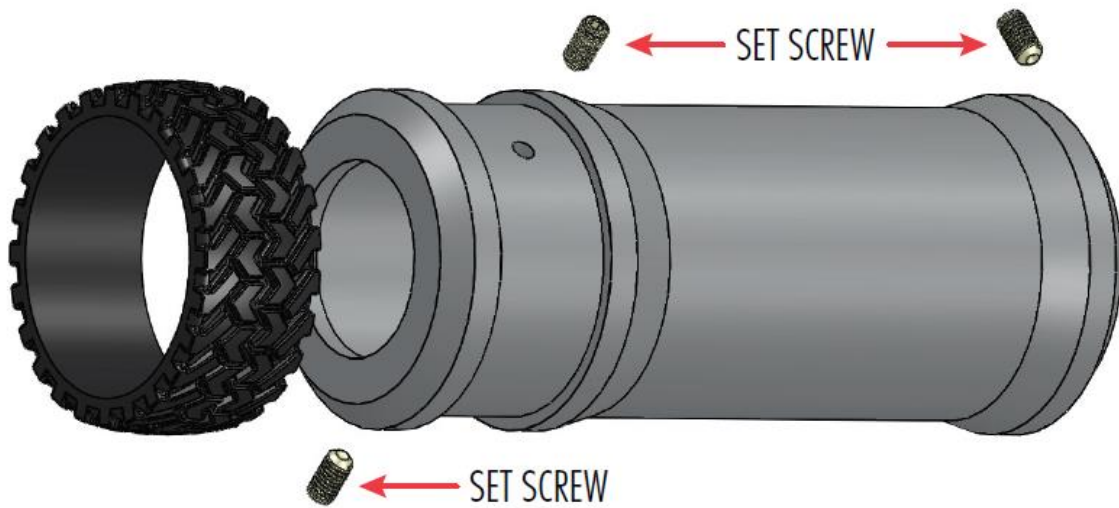




## 2007-2010 Jeep Wrangler JK E-Brake Handle Cover

D-JP-180009-BK – Gloss Black Anodized Finish

D-JP-180009-BL – Gloss Silver Anodized Finish



### JEEP E-BRAKE HANDLE COVER (JK) Install Instructions

- 1 Remove tire tread grip and check that all (3) set screws are threaded out
- 2 Slide cover over the E-brake handle with single set screw facing downward
- 3 Tighten up set screws slowly and evenly
- 4 Continuously check function of E-brake, if a screw is installed are too tight function will be affected
- 5 Install tire tread grip

2 | Install tire tread grip