

FRONT SPEC SERIES BUMPER

2023+ GMC 2500

FBGC2-01



TOOLS REQUIRED

- T15 torx
- #4, #5, #6 Allen Tool
- 18mm, 19mm, 21mm, 22mm wrenches
- 7mm, 10mm, 13mm 15mm, 18mm, 21mm sockets
- 12" Socket Extension
- Flush cutters, cutting tool
- Trim Tool
- Safety Glasses, 4ft of 22 gauge wire

SKILL LEVEL

- Novice/Intermediate
 - 1 (you) to 2 persons
- Little skill level required, you can easily install it by yourself however, additional help will be useful

TIME REQUIRED

- 4.5 Hours
- Time to install this should only take about four and half hours.

WARNINGS/CAUTIONS BEFORE STARTING INSTALLATION

Before you install this kit – Read and understand all instructions, warnings, cautions, and notes contained in this installation instruction guide. Consult your vehicle owner’s manual for proper disconnection of electrical and lifting of vehicle if required for installation of this product.

This install may require some technical skills and knowledge of basic mechanical work. If you do not feel that you are capable of performing this install please take this product to a trained professional.

After reading this guide please contact us with any questions or concerns before installing product.
Customer Service: 855-680-9595

DV8 Offroad is not responsible for any bodily injury or harm to you or your vehicle as a result of an improper install.

Proper installation of this kit required knowledge of the factory recommended procedures for removal and installation of original equipment components. We recommend that the factory shop manual and any special tools needed to service your vehicle be on hand during the installation. Installation of this kit without proper knowledge of the factory recommended procedures may affect the performance of these components and the safety of the vehicle

- Always wear eye protection when operating power tools

Inspect all contents of this package to make sure product is not damaged and all installation hardware has been included. If parts are missing from kit, please be prepared to provide the following information

1. Name of purchase location
2. Bar Code on side of box
3. Date above bar code
4. Date inside box cover

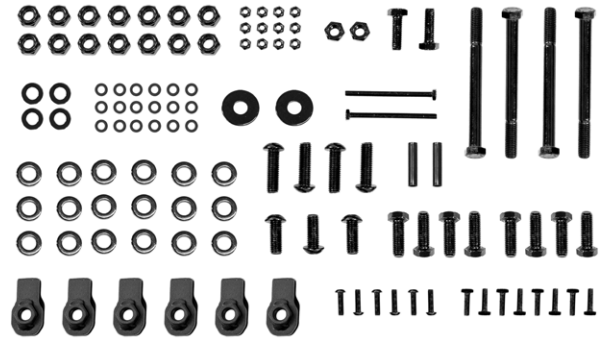


INSTALLATION MANUAL

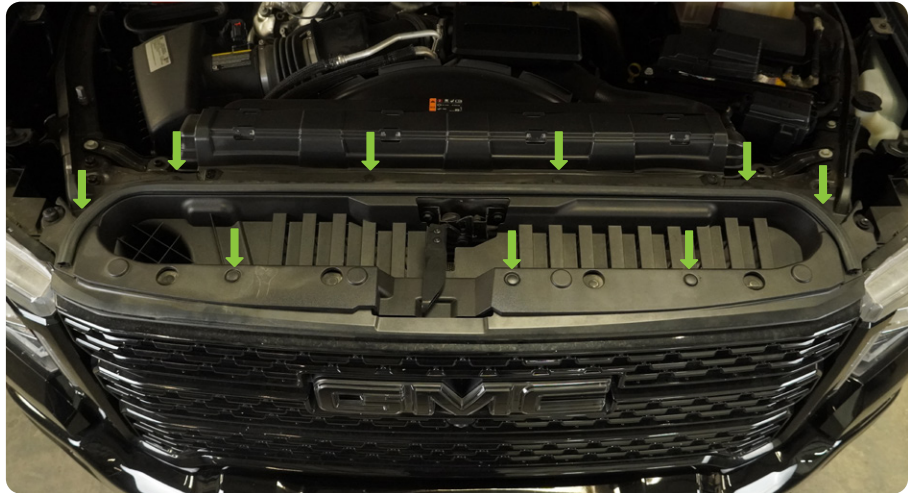
Begin by unpacking all items and inspecting for missing pieces or damage. If you have any concerns, please contact the company the product was purchased from. Extra hardware may be included with the product.

HARDWARE INCLUDED

- | | |
|----------------------------|---|
| (8) M6x20 hex head bolts | 4) M12x30 allen head bolts |
| (4) M6x20 allen head bolts | (4) M12x40 allen head bolts |
| (4) M6 nylon lock nuts | (8) M12x35 hex head bolts |
| (8) M6 washers | (4) M12x140x35 half threaded hex head bolts |
| (2) M10x30 hex head bolts | (6) M12 clip nuts |
| (2) M10 nylon lock nuts | (2) M6x20 allen head bolts |
| (4) M10 washers | (4) M6 nylon lock nuts |
| (14) M12 nylon lock nuts | (12) M6 washers |
| (2) M12 oversize washers | (2) M6x80 hex head bolts |
| (32) M12 washers | (4) M6 nuts |
| | (2) ABS spacers |
| | (2) EVA foam plates |



STEP 1 | Using a trim tool to remove the (9) clips holding the radiator top cover.



STEP 2 | Using a #4 allen tool, remove the hood latch handle before removing the radiator top cover.





STEP 3 | Remove the (2) torx bolt on the inner wheel well with T15 Torx bit.



STEP 4 | Carefully pull back on the fender to unclip it from the body, exposing a 7mm bolt.

Ensure to take your time and pull straight back to avoid breaking any clips.





STEP 5 | Remove the bolt using 7mm socket.



INSTALLATION MANUAL

STEP 6 | Once the bolt is removed, carefully pull the body panel and remove headlight valance body panel.

Ensure to take your time and pull straight back to avoid breaking any clips.



STEP 7 | Once both panels are removed, pull back the front bumper grille/fascia. Do not remove completely due to wiring.

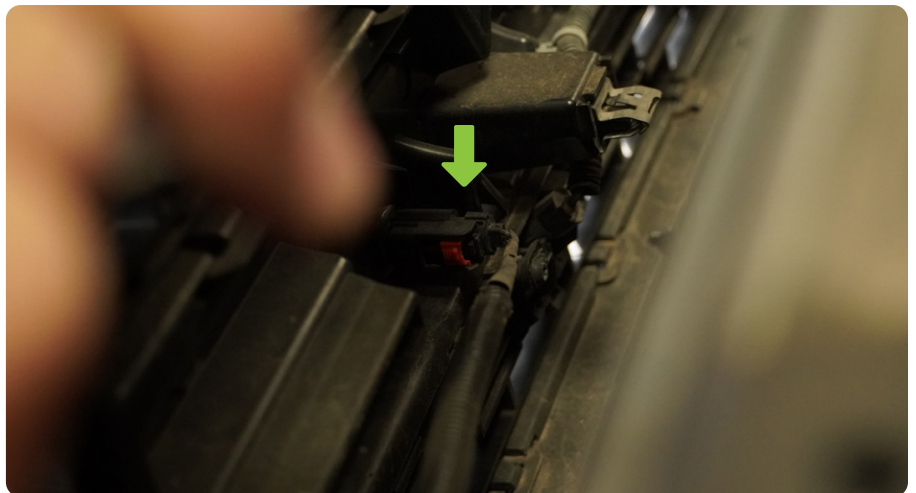


INSTALLATION MANUAL

STEP 8 | On the passenger side of the grille, you will unplug cable.



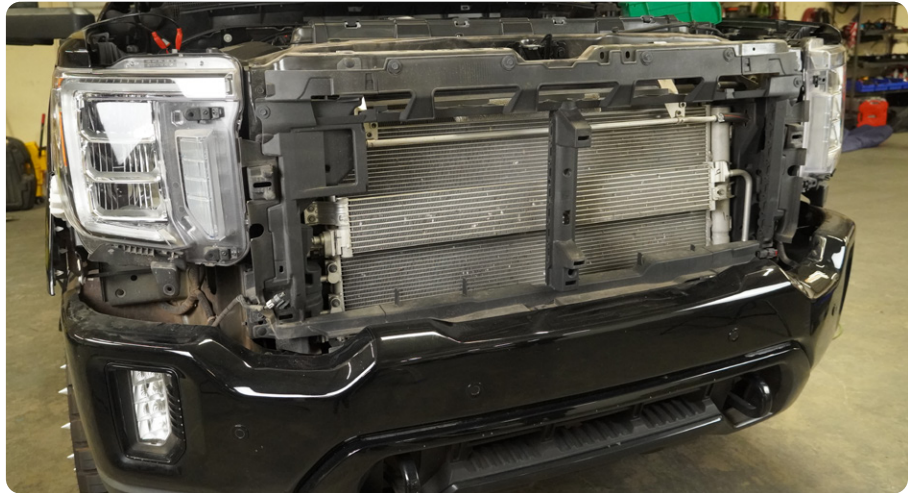
STEP 9 | If equipped, there will be another cable on the back of the grille for the lights on the "GMC" logo.





STEP 10 | Remove the grille.

Use a 18mm socket and extension for the (4) bolts on the bumper.



INSTALLATION MANUAL

STEP 11 | Underneath the vehicle, use a 15mm socket to remove the (4) total bolts on the bumper brackets on both sides.



STEP 12 | Before pulling the bumper off, unplug harness on the driver side, behind the bumper for final removal.



INSTALLATION MANUAL

STEP 13 | If equipped, there will be another plug on the passenger side for a block heater.



STEP 14 | Remove bumper and set off to the side.



INSTALLATION MANUAL

STEP 15 | Using a 15mm socket, remove the (4) bolts on each side to remove bumper bracket.



STEP 16 | Using 15mm socket and wrench, remove the bolts holding OE tow hooks.



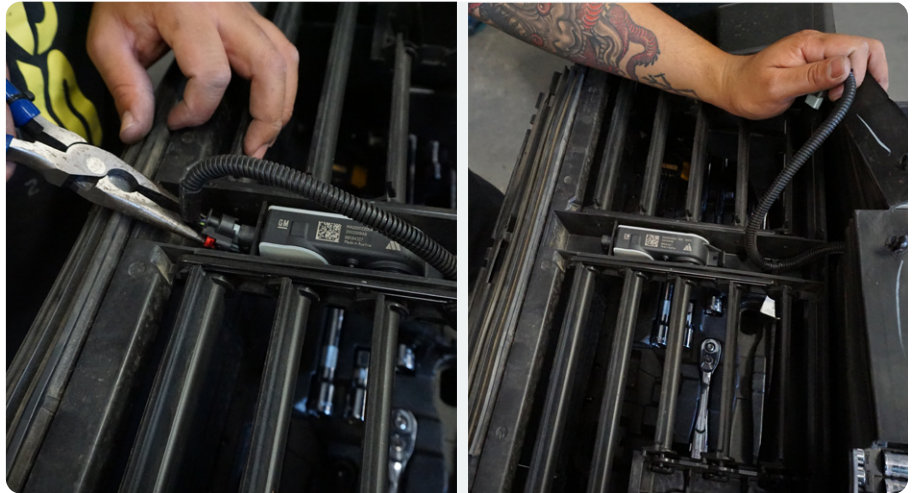
INSTALLATION MANUAL

STEP 18 | If equipped, remove the lower radiator shutter assembly.

Remove the (4) bolts on the shroud using a 10mm socket to remove assembly from the bumper bracket.



STEP 17 | Once the shutter assembly is removed, locate the shutter motor plug and carefully remove it from the shutter motor.



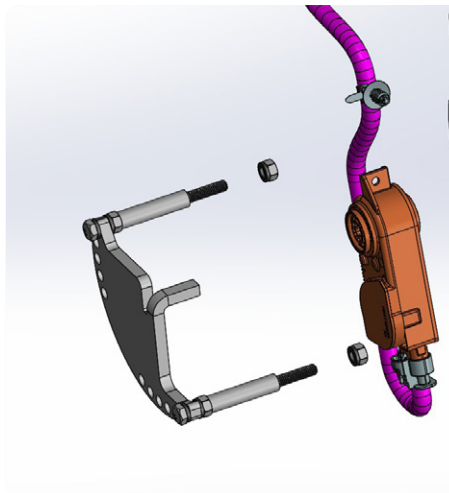
STEP 19 | Remove the 2 middle fins from the shutter motor.

Note: Be careful not to break the shutter motor. You will not be using your shutters after this step.



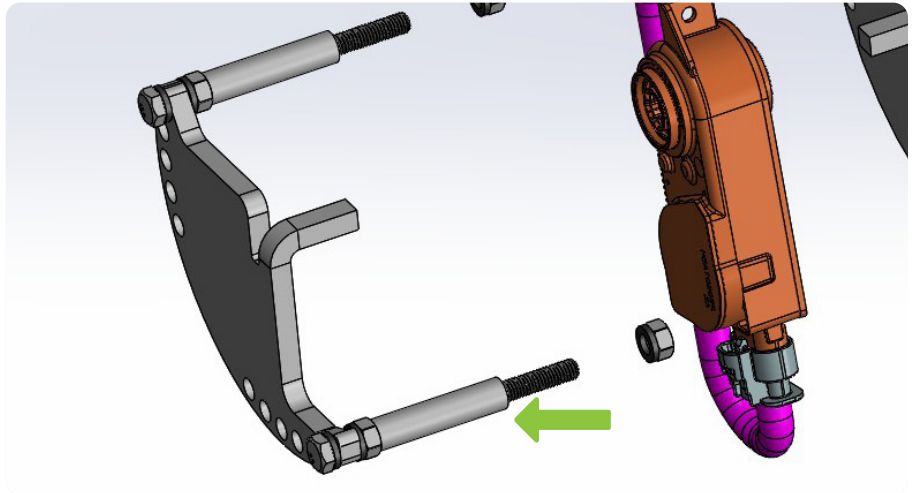


STEP 20 | Assemble the shutter motor bracket. On one side of the bracket insert the bolt through, use the non-nylon nut to thread through the bolt. Insert the nylon piece tubing into the bolt.

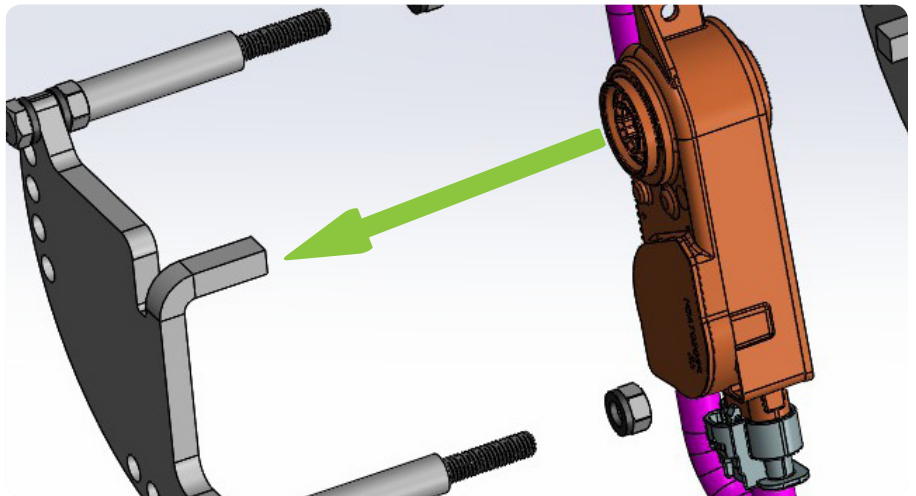


INSTALLATION MANUAL

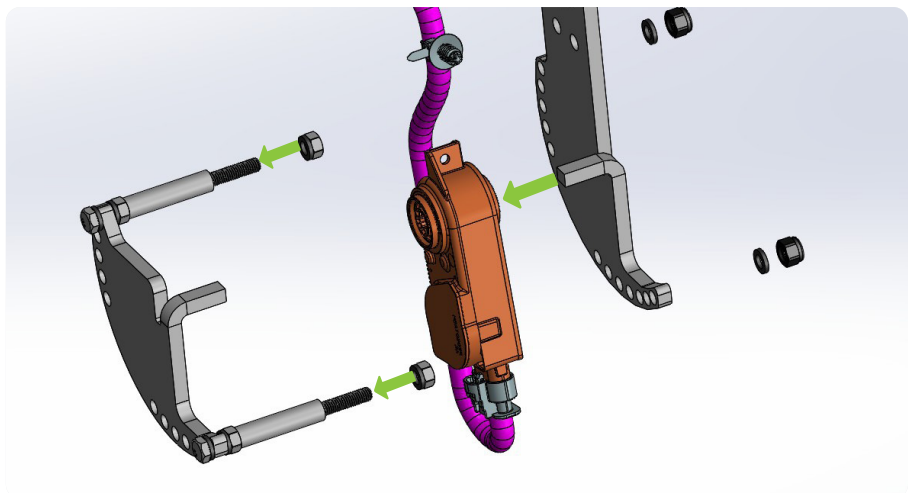
STEP 21 | Repeat process to the other bolt.



STEP 22 | Place the shutter motor on the bracket.

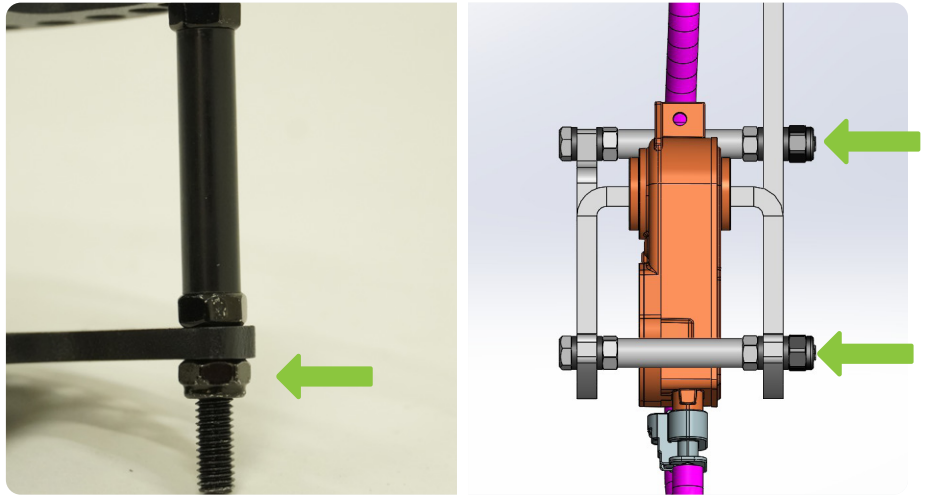


STEP 23 | Place a non nylon nut on bolt to secure nylon tubing in place. Place the other part of the bracket to secure shutter motor in place.

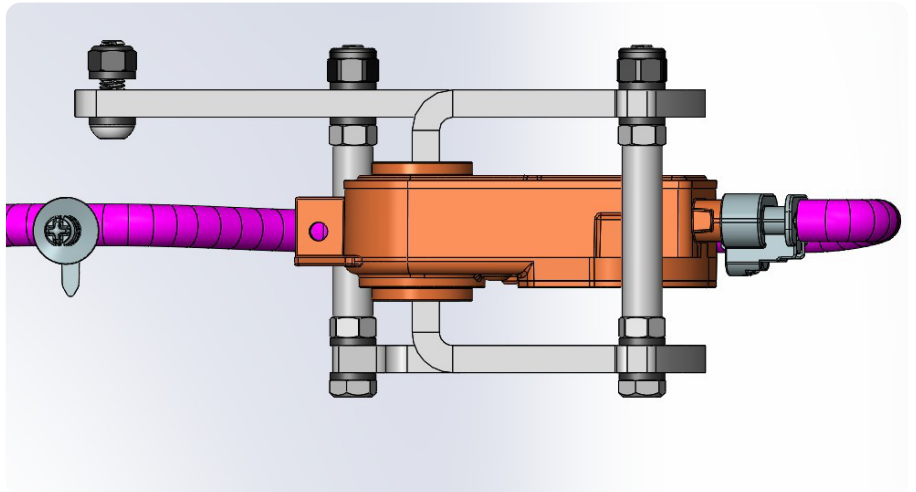


INSTALLATION MANUAL

STEP 24 | Secure bracket by using the 2 nylon nuts on bolts.



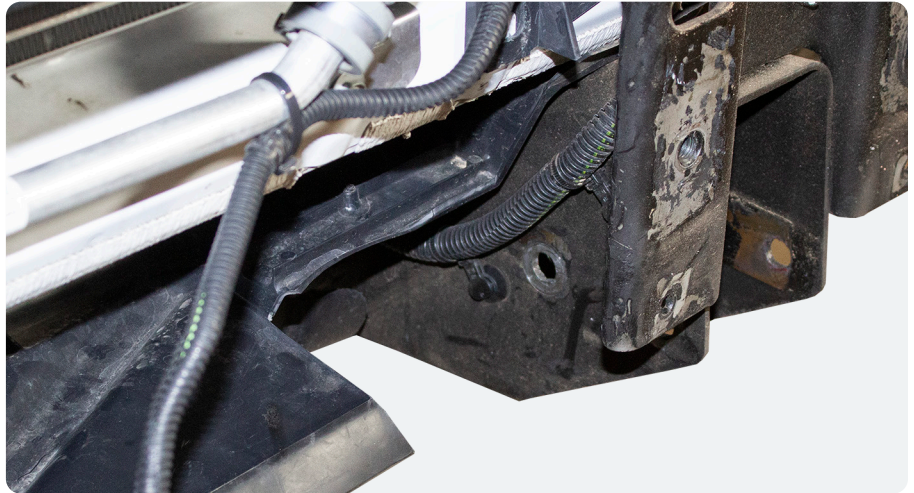
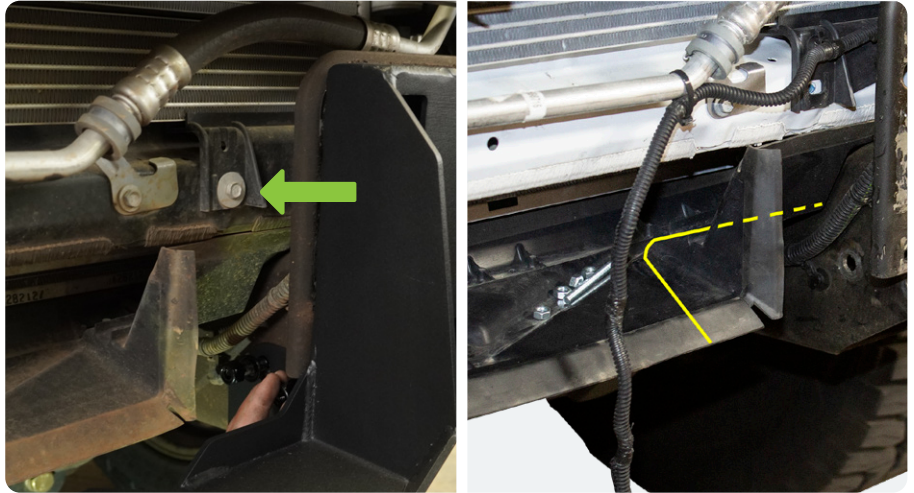
STEP 25 | Shutter motor assembly completed.



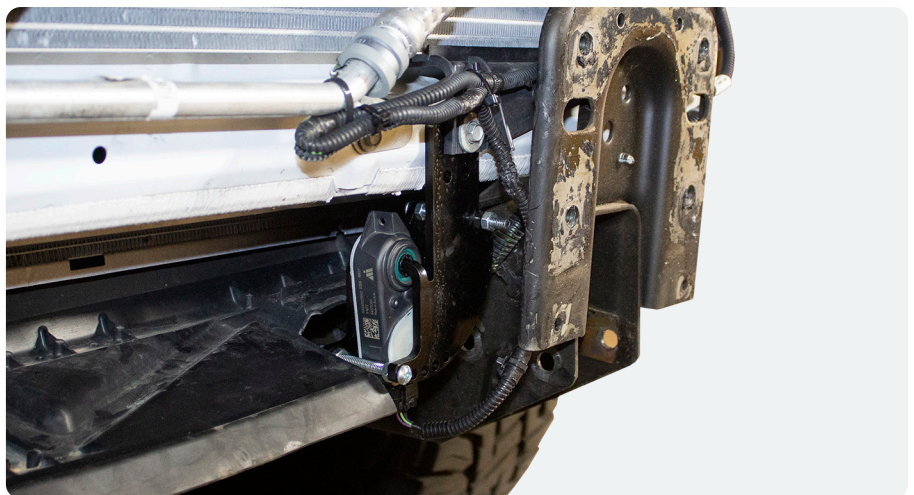
INSTALLATION MANUAL

STEP 26 | On the driver side, there is a 10mm bolt, remove the bolt.

On the driver side of the remaining portion of the intercooler shroud, trim off the corner following the guide using a cutting tool.

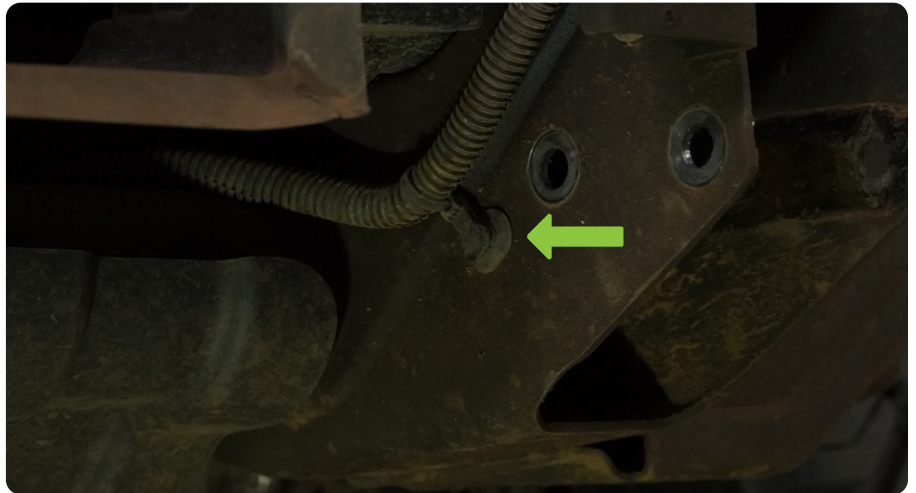


STEP 27 | Install the bolt to the assembly to the frame.



INSTALLATION MANUAL

STEP 28 | Remove wire harness clips on both sides on the frame for winch assembly clearance.

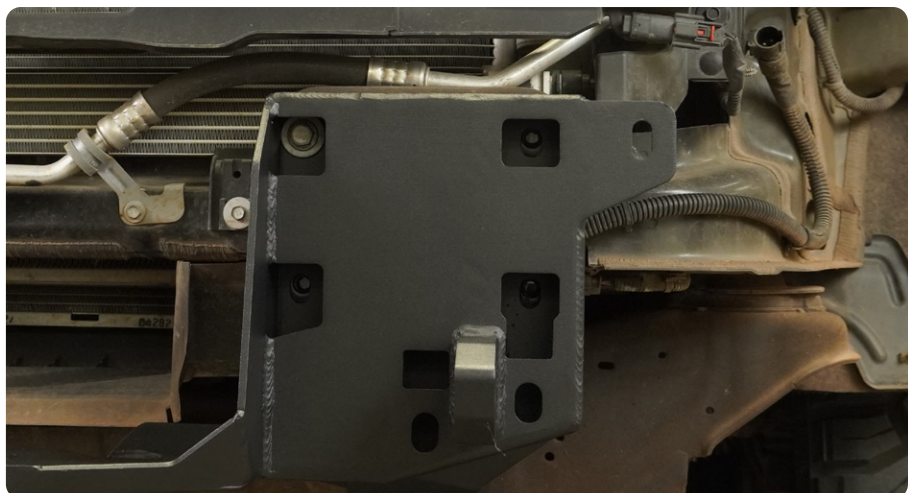


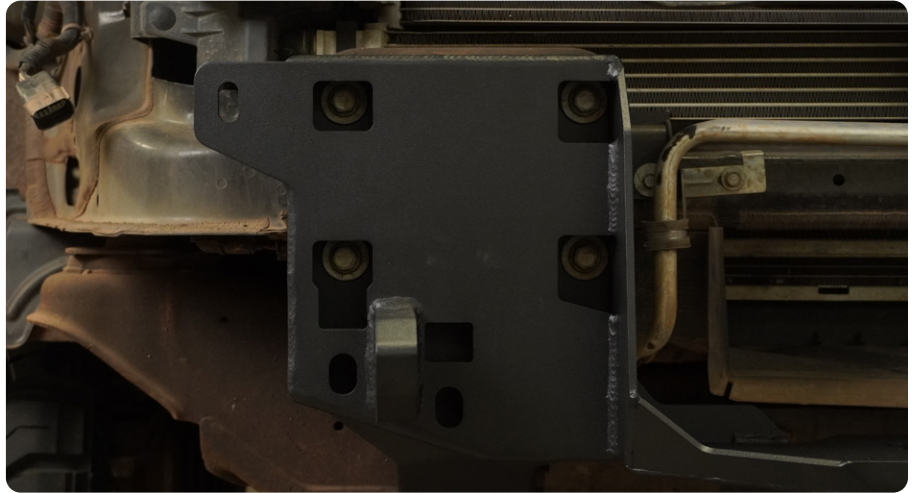
STEP 29 | Install our winch mount to vehicle.

Note: Second pair of hands will be recommended to avoid damage to the vehicle and personal injury.

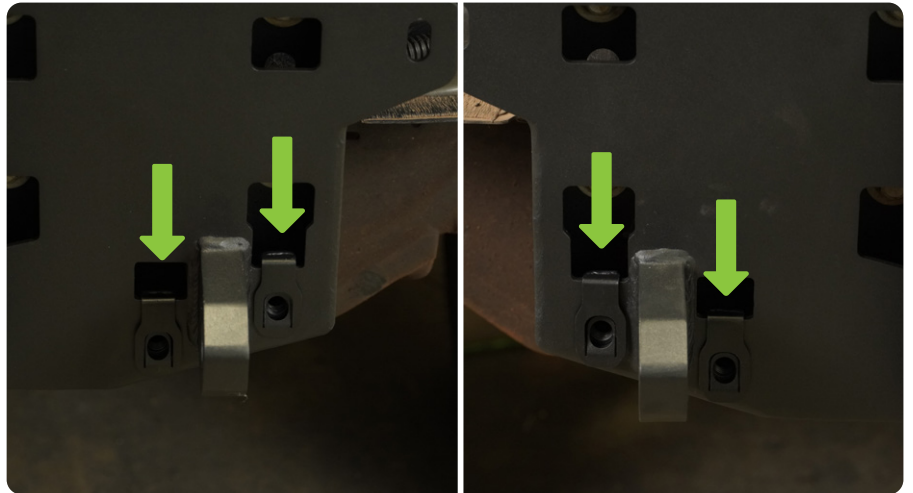


STEP 30 | Using a 15mm socket, use the (8) OE bolts to install the winch mount/bumper bracket to the frame.





STEP 31 | Install the (2) provided M12 nut clips on both sides of the bumper bracket.

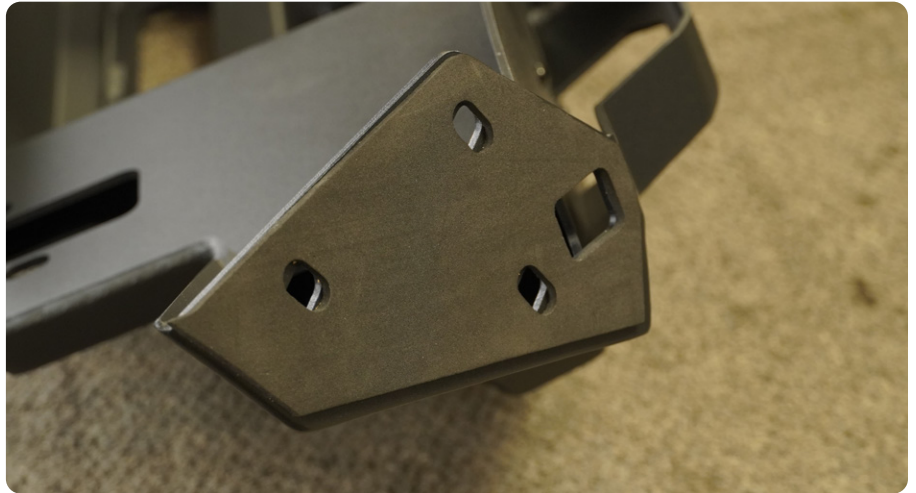


STEP 32 | Install the 3rd nut clip to the bumper frame mount as shown.



INSTALLATION MANUAL

STEP 33 | Assembling your bumper. Install the provided foam to the sides of the bumper where the wings will be attached.



STEP 34 | Using a 18mm wrench and 19mm wrench, loosely install (3) M12x35 bolts, washers, and nuts.

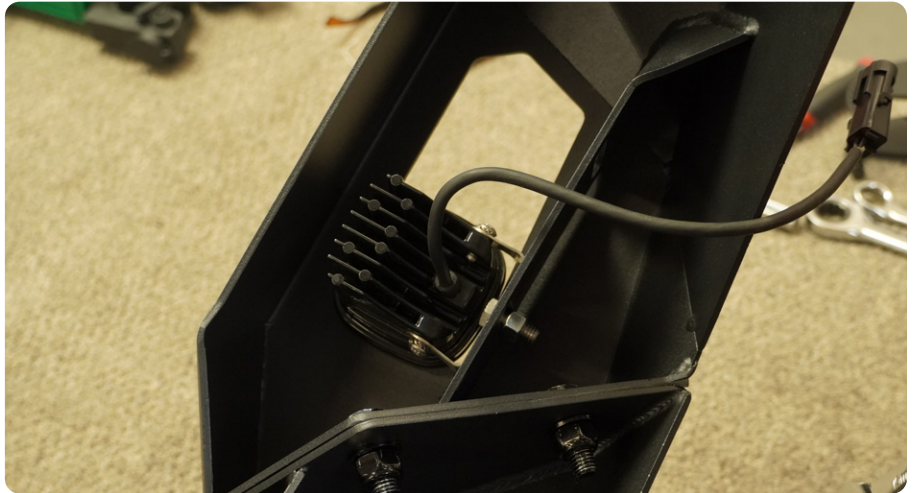


INSTALLATION MANUAL

STEP 35 | Align the wing to the face/
front of the bumper, and secure the bolts.



STEP 36 | Each wing can accept
(2) 3" pod lights. Using the hardware
provided with the lights, install them now.



INSTALLATION MANUAL

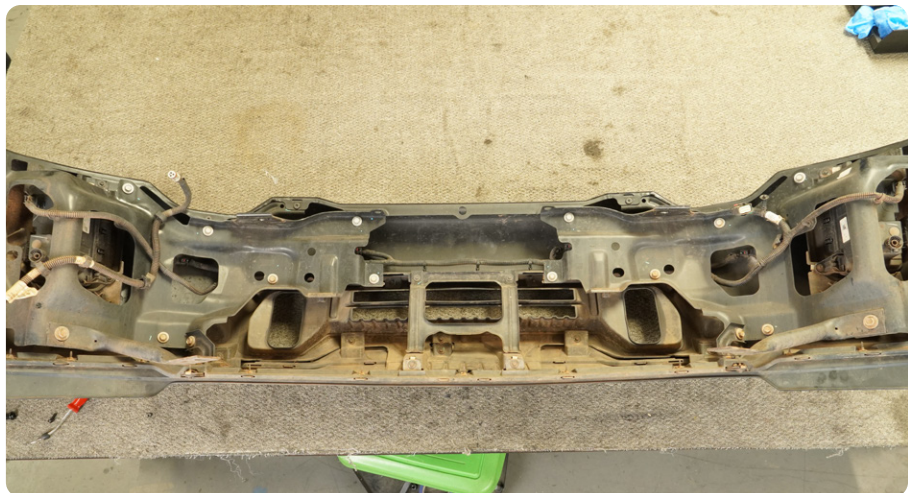
STEP 37 | The center light can accept (1) 20" light bar. Using the hardware provided with the light, mount the brackets to the light as shown.



STEP 38 | Using a #4 allen wrench and 10mm wrench, install the (4) M6x20 bolts, washers, and nuts to the light bar bracket.

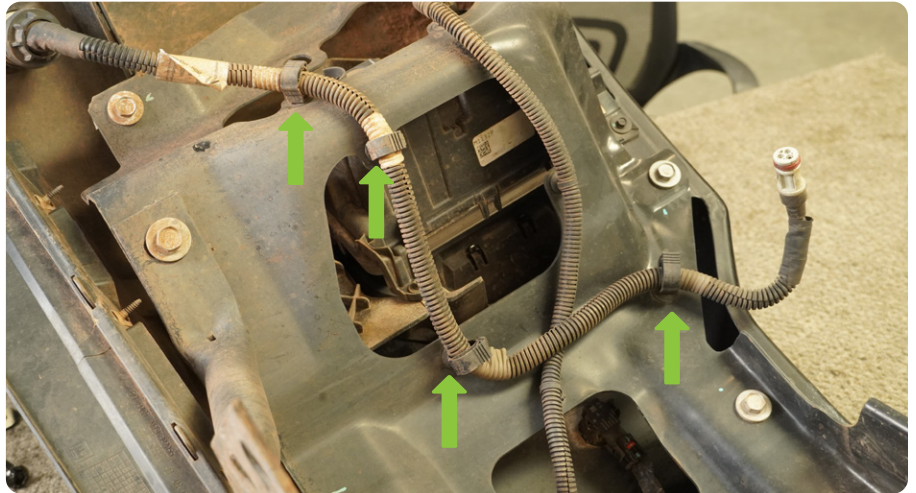
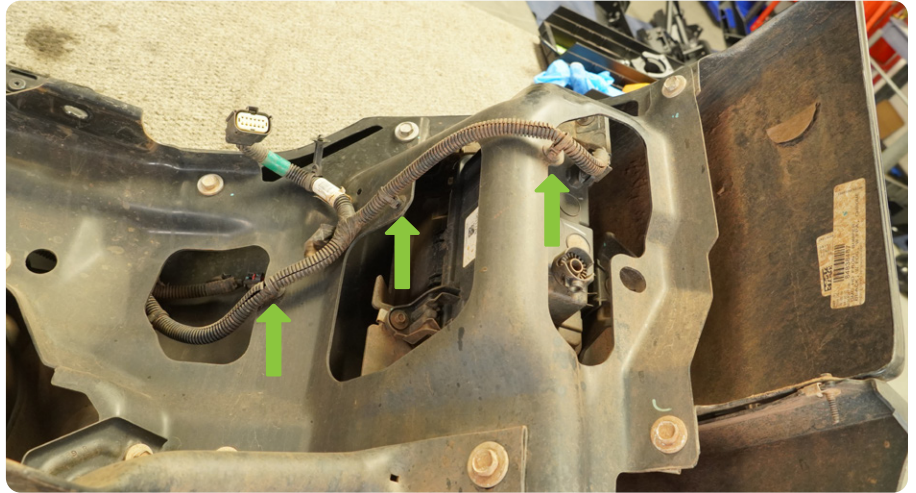


STEP 39 | Place factory bumper on a table or a place it will not get damage and start removing the harness.



INSTALLATION MANUAL

STEP 40 | Remove the clips off the bumper.



STEP 41 | Disconnect the pigtail off the fog lights.



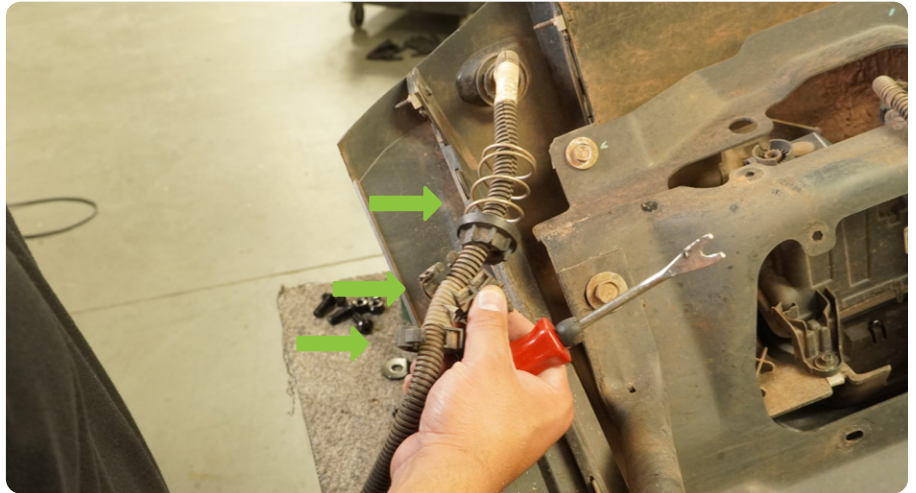
INSTALLATION MANUAL

STEP 42 | If equipped, remove the parking sensors from their bezels.

Note: When removing the sensor, remember or mark the orientations of the sensors to not have any issues when reinstalling them to the new bumper.

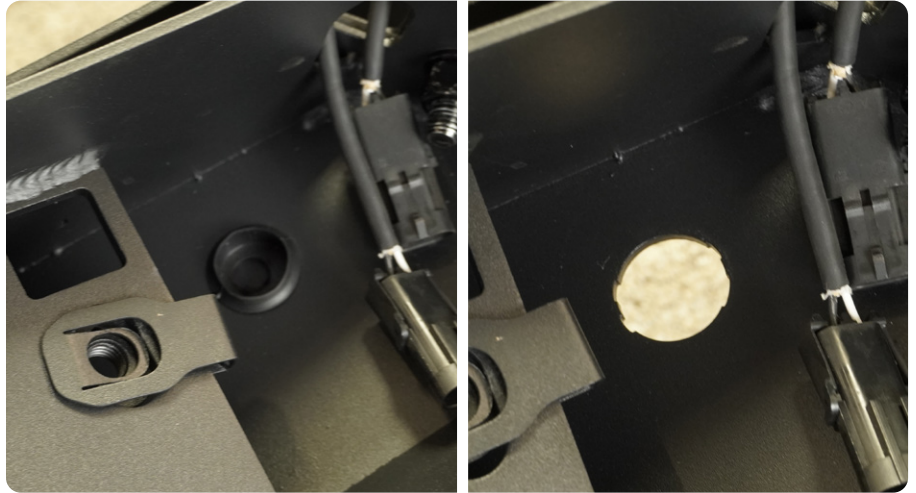


STEP 43 | Remove the block heater harness. Remove the zip ties clipped on the harness to remove the spring and spring holder to remove the harness through the bumper.



INSTALLATION MANUAL

STEP 44 | If equipped with parking sensors, remove the rubber sensor plugs.



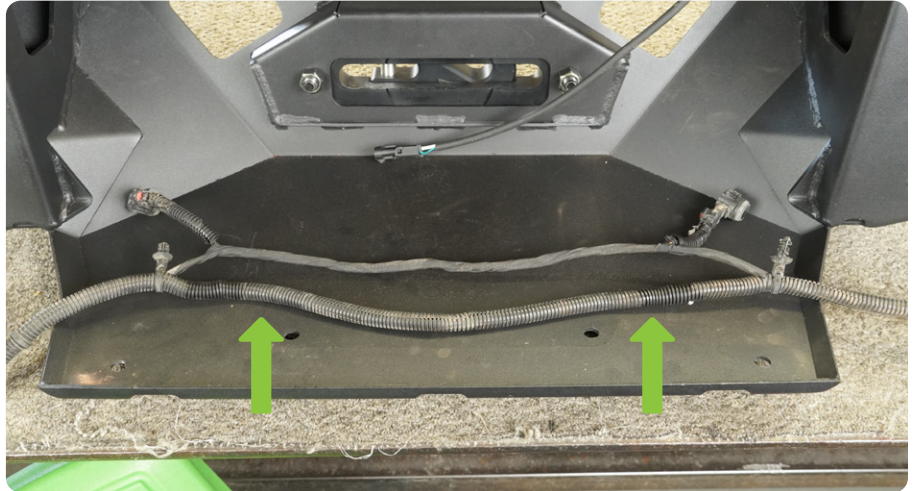
STEP 45 | Route harness through bumper roughly aligning sensors with their respective holes.



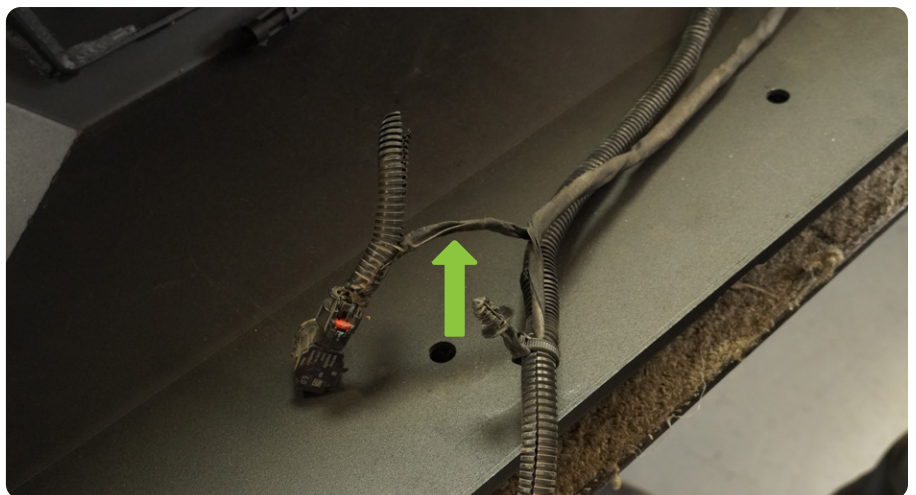
INSTALLATION MANUAL

STEP 46 | For this bumper you will need to extend the wiring for one of the center sensor.

Remove sensor wiring off the heat shrink plastic.



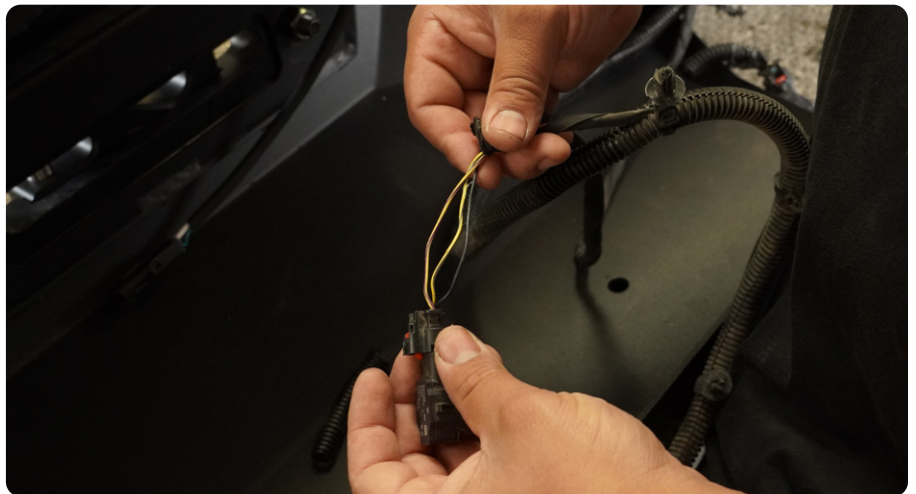
STEP 47 | Remove the heat shrink off one of the parking sensors.



INSTALLATION MANUAL

STEP 48 | Remove the tape or plastic surrounding the wires for the middle parking sensor.

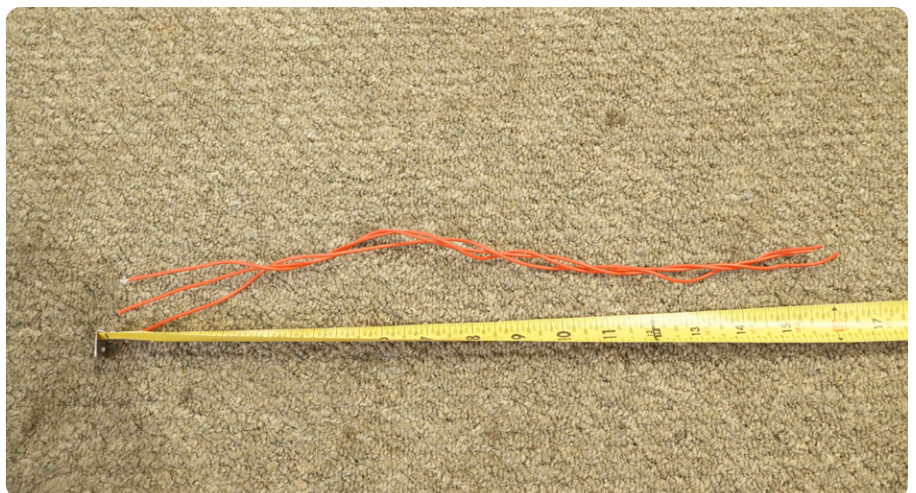
Separate the 3 wires to the sensor.



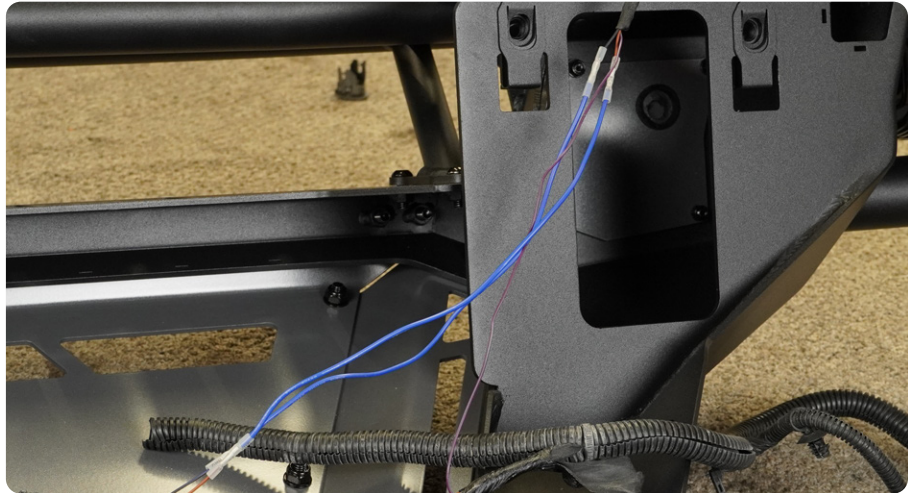
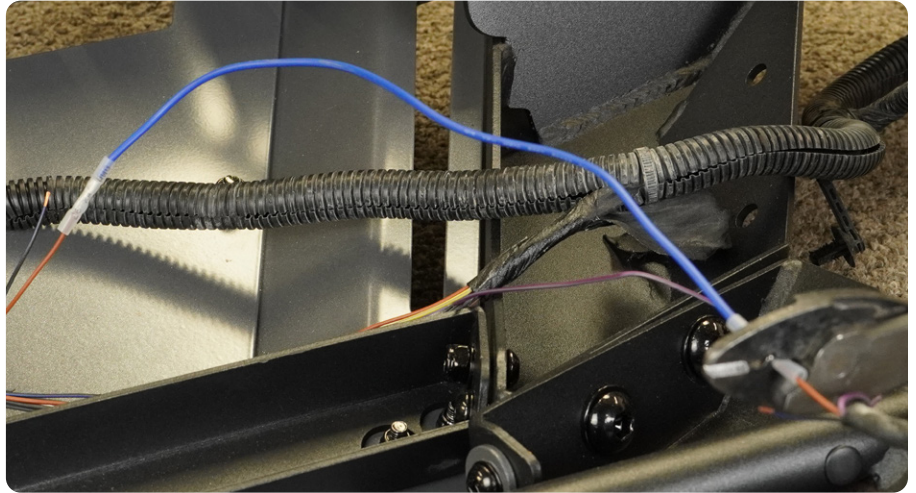
STEP 49 | To extend the sensor, cut 22 gauge wire into (3) 15" in length and (6) red butt connectors for 22G wire.

Note: 22 gauge wire not included. Any local parts store should carry this. Any color is ok.

Professional would be recommended if not comfortable with electrical work.



STEP 50 | Connect the wires individually, one at a time, to not mix wires on accident.



STEP 51 | Once the wires are connected, use electrical tape or heat shrink, to wrap the wires to the harness again.



INSTALLATION MANUAL

STEP 52 | Once extended, install the parking sensor and the bezel at the same time. While the bezel is still out and the sensor on the bezel. Squeeze them together and flush to the bumper. There will be a click or it will sit correctly on the bumper.



INSTALLATION MANUAL

STEP 53 | Ensure the sensor is properly seated and the sensor ring is not pinched.

Note: It is vital that the sensor are properly installed to ensure proper function. Once the bumper is mounted access to the sensors is limited.



STEP 54 | If installing a winch, install the fairlead at this moment.

Note: We are using one of our DV8 fairleads (WBPF-01 or WBPF-02)

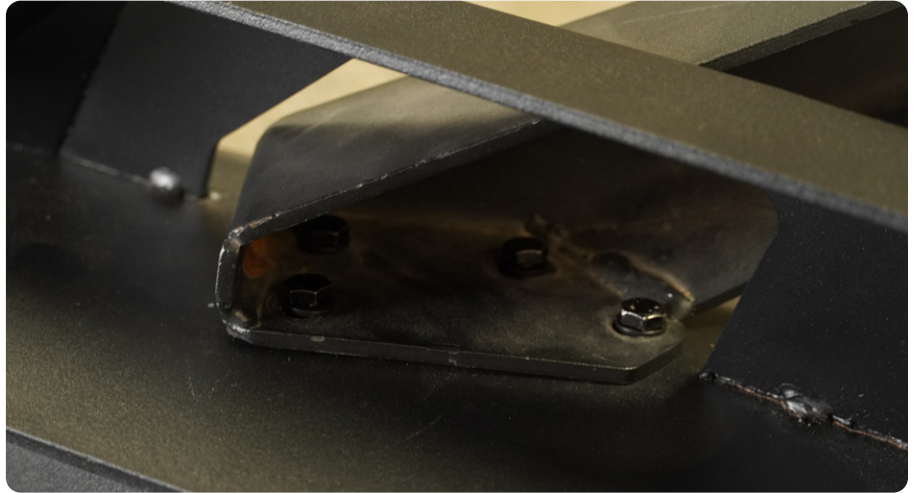


STEP 55 | If running the optional bull bar (LBUN-01), remove these (4) M6 bolts with a #4 allen wrench.



INSTALLATION MANUAL

STEP 56 | Using a 10mm socket and wrench, install the provided (4) M6x20 hex head bolts and washers on each side.



STEP 57 | If installing a winch, in the winch on the bumper bracket.

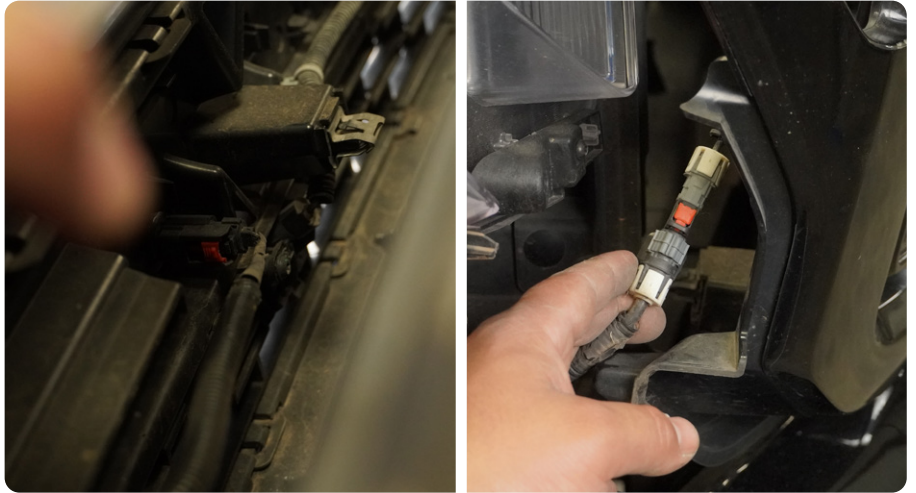


STEP 58 | Use the provided hardware that comes with the winch to secure your winch to the mounting plate.



INSTALLATION MANUAL

STEP 59 | Place the fascia grille back on the vehicle and reconnect the cable, if equipped.



STEP 60 | Reinstall the grille to vehicle.



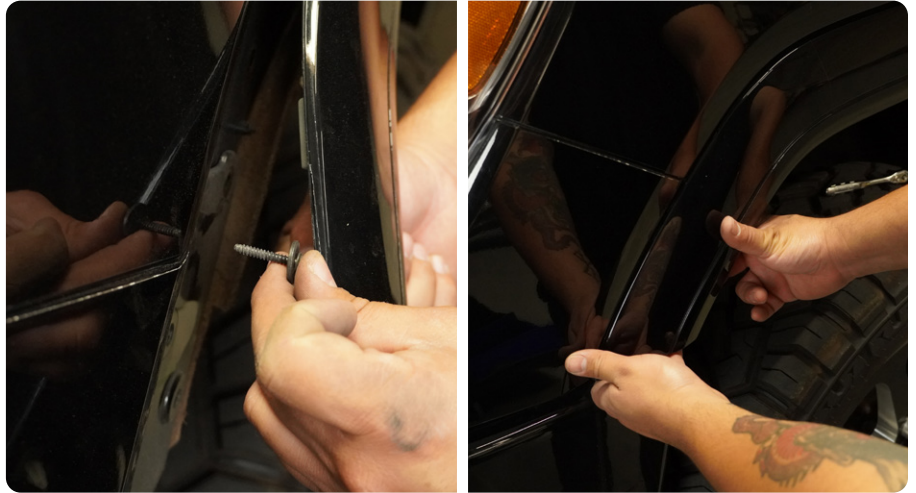
STEP 61 | Reinstall the bottom headlight fascia panel.



INSTALLATION MANUAL

STEP 62 | Install the 7mm bolt to secure body panel.

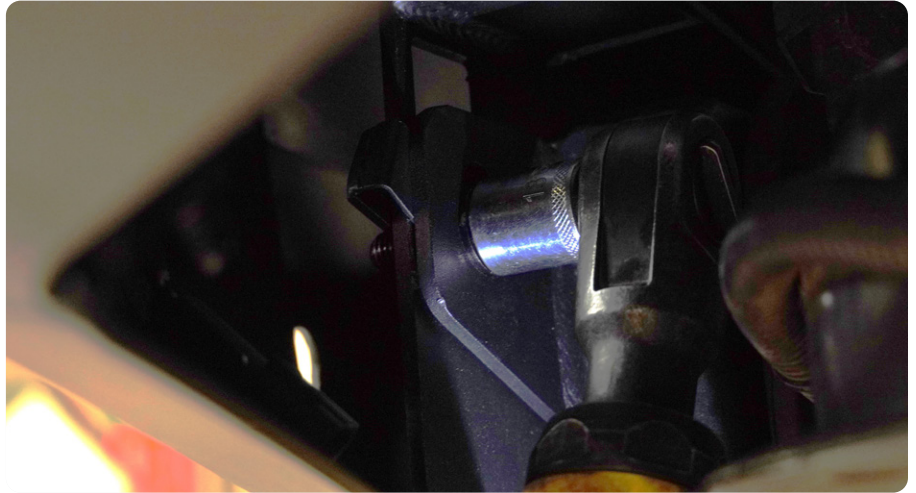
Install the fender back into its place.



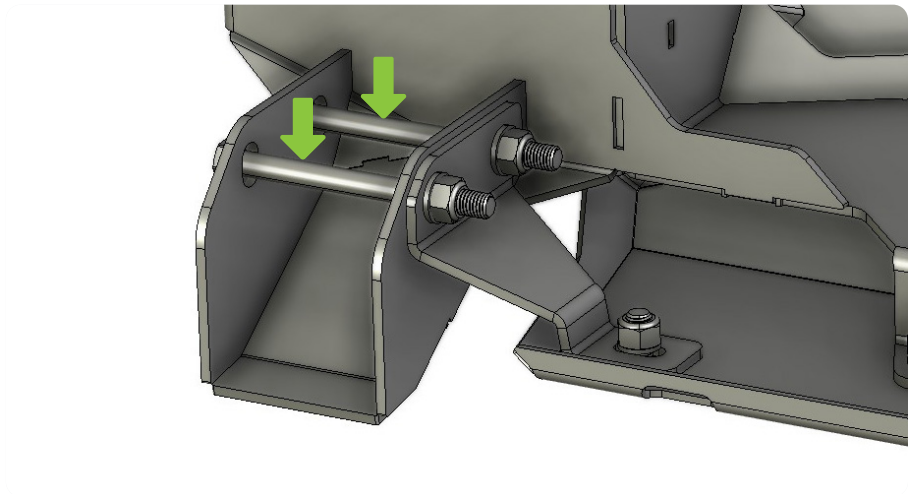
STEP 63 | Place the bumper on bumper bracket, loosely install the (2) M12x30 bolts and washers directly left and right of each D-ring mount.

Loosely install the (2) M12x35 bolt and washers on the back of the upper part of the bumper.

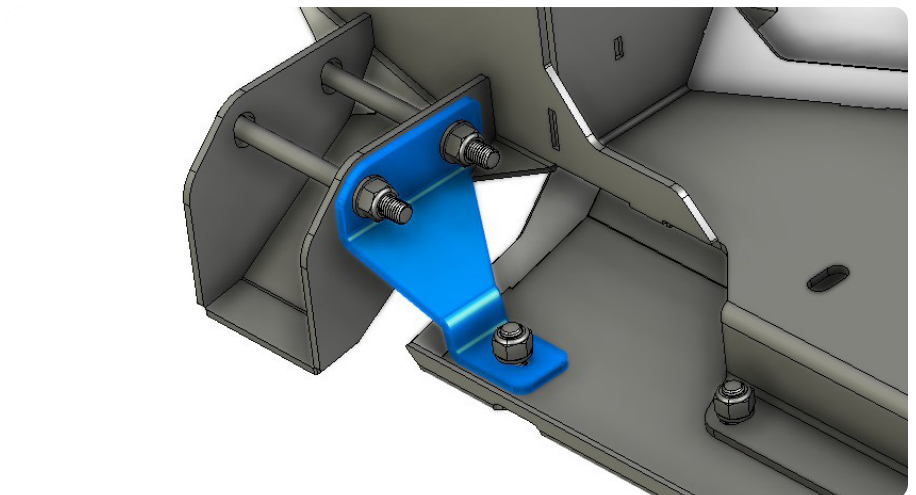




STEP 64 | Install (2) M12x140x35 bolts and washer on both sides of the bumper.

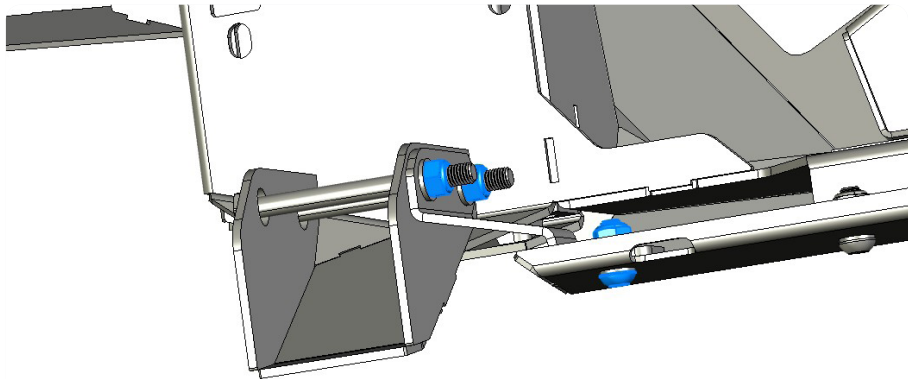


STEP 65 | Place the bracket support behind those (2) bolts and use the M12 nuts.



INSTALLATION MANUAL

STEP 66 | Once nuts are in place, loosely install the M12x30, washers and nut to secure bracket to the winch plate and frame for added support.



STEP 67 | Using a #8 allen socket and 18mm wrench, secure bolts.



INSTALLATION MANUAL

STEP 68 | Using a 17mm socket and 18mm wrench, secure your (2) bottom bolts.



STEP 69 | Secure your front (4) allen bolts using a #8 allen socket.



STEP 70 | Using a 17mm socket, secure the (2) top bolts behind the bumper.



INSTALLATION MANUAL

STEP 71 | Trim and remove the excess wheel well liner.



STEP 72 | Using a 10mm socket, remove the (2) bolts on the inner fender support bracket.

Remove the bracket.



INSTALLATION MANUAL

STEP 73 | Check the bumper alignment and ensure all hardware is secure.



STEP 74 | Congratulations on install the 2022+ GMC Sierra 2500 Spec Series bumper.

