

TUBE SERIES REAR BUMPER

14-21 TOYOTA TUNDRA

RBTT2-07



TOOLS REQUIRED

- 10mm, 12mm & 18mm sockets
- 19mm Wrench
- #4, #5 Allen tool
- Trim Pry Tools
- Phillips Head Screwdriver
- Pick Tool
- Safety Glasses
- Zip Ties

SKILL LEVEL

- Novice/Intermediate
 - 2 persons
- Medium skill level required, however additional help is required for removal and install of bumpers.

TIME REQUIRED

- 4 Hours
- Time to install this should only take about four hours.

WARNINGS/CAUTIONS BEFORE STARTING INSTALLATION

Before you install this kit – Read and understand all instructions, warnings, cautions, and notes contained in this installation instruction guide. Consult your vehicle owner's manual for proper disconnection of electrical and lifting of vehicle if required for installation of this product.

This install may require some technical skills and knowledge of basic mechanical work. If you do not feel that you are capable of performing this install please take this product to a trained professional.

After reading this guide please contact us with any questions or concerns before installing product.
Customer Service: 855-680-9595

DV8 Offroad is not responsible for any bodily injury or harm to you or your vehicle as a result of an improper install.

Proper installation of this kit required knowledge of the factory recommended procedures for removal and installation of original equipment components. We recommend that the factory shop manual and any special tools needed to service your vehicle be on hand during the installation. Installation of this kit without proper knowledge of the factory recommended procedures may affect the performance of these components and the safety of the vehicle

- Always wear eye protection when operating power tools

Inspect all contents of this package to make sure product is not damaged and all installation hardware has been included. If parts are missing from kit, please be prepared to provide the following information

1. Name of purchase location
2. Bar Code on side of box
3. Date above bar code
4. Date inside box cover

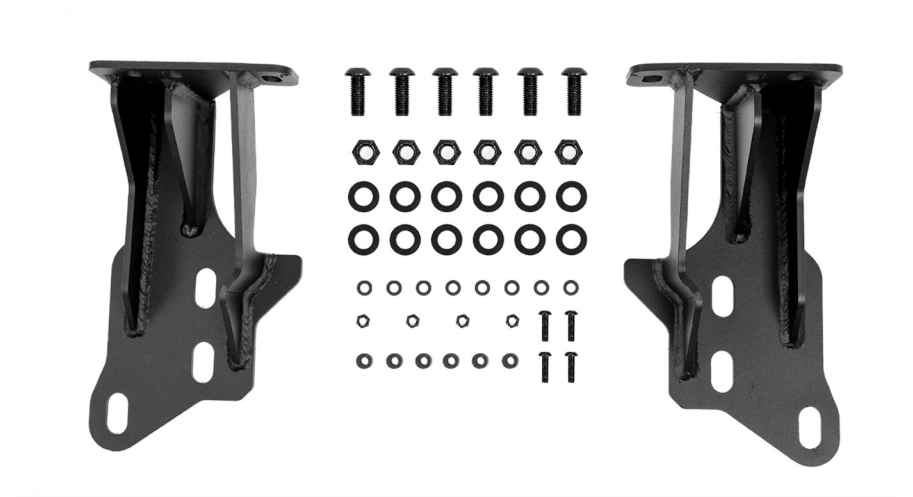


INSTALLATION MANUAL

Begin by unpacking all items and inspecting for missing pieces or damage. If you have any concerns, please contact the company the product was purchased from. Extra hardware may be included with the product.

HARDWARE INCLUDED

- (4) M6x20 Allen Head Bolts
- (8) M6 Flat Washers
- (4) M6 Nylock Nuts
- (6) M12x30 Allen Head Bolts
- (12) M12 Flat Washers
- (6) M12 Nylock Nuts
- (6) M6 Spacers



STEP 1 | Use trim pry tools to pry the plastic bumper corner caps off each corner.

Take note where the clip holes are. This is where you will need to apply the most pressure.



INSTALLATION MANUAL

STEP 2 | Remove the rear license plate to gain access to 1 of 3 push pins retaining the center bumper section.

Remove all 3 push pins.



INSTALLATION MANUAL

STEP 3 | Remove the trailer connector socket by depressing the large metal retaining clips on the backside and pushing the connector socket out the front side of the bumper.

NOTE: A trim tool can be used to depress the large silver retaining clips.



STEP 4 | Unplug the trailer connector socket from the vehicles factory wiring harness by depressing the locking tab on the harness and pulling the plug from the socket.



STEP 5 | Continue using trim pry tools to remove the plastic bumper caps from the bumper on both sides.



INSTALLATION MANUAL

STEP 6 | Gently pry the bumper plastic away from the bumper to allow enough access to the parking sensors.

Gently unplug the sensors from the harness.



STEP 7 | Remove both license plate light by depressing both retaining clips and pushing the lights out the front side.

Disconnect License plate light housing from factory harness.



INSTALLATION MANUAL

STEP 8 | Remove the bumpers plastic center section and ensure any harness retaining clips are removed.

Using a trim tool, remove any attached wire harness fasteners.



INSTALLATION MANUAL

STEP 9 | Remove the wiring harness from the bumper support attached to the tow hitch.



STEP 10 | Use a 12mm socket to remove the bumper support.



INSTALLATION MANUAL

STEP 11 | Use a trim tool to remove any bumper push pins retaining the bumper corner plastic fascia pieces.



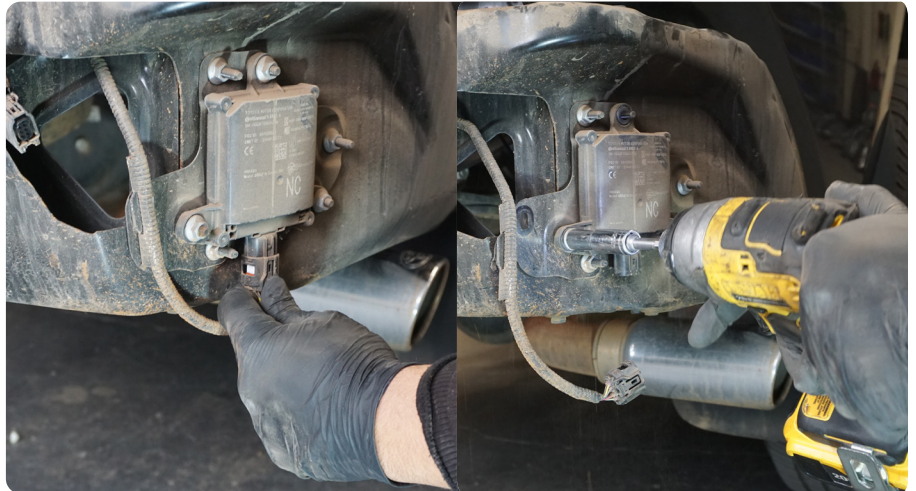
INSTALLATION MANUAL

STEP 12 | With firm grip, pull to remove the bumpers plastic corner fascia pieces to gain access to the blind spot monitoring sensors.(If equipped)

If you do not have blind spot monitoring sensors, skip to step 14.



STEP 13 | Unplug the blind spot monitoring sensors and using a 10mm socket, remove the BSM sensors.



INSTALLATION MANUAL

STEP 14 | Use a 12mm socket to remove bumper corner supports so that only the tow hitch is left attached to the frame.

Be careful not to damage any sensor wiring harness during removal.



INSTALLATION MANUAL

STEP 15 | Use a pick tool to pry up the sensor locking tab to remove the parking sensor from the sensor bezels.



STEP 16 | Use the pick tool to depress the sensor bezels locking tabs.

With the tabs depressed, push the sensor bezels out the front of the bumper fascia.



INSTALLATION MANUAL



STEP 17 | With everything removed, your vehicle's rear end should look as shown.



INSTALLATION MANUAL

STEP 18 | Place the DV8 Rear Bumper on a work bench or soft surface to prevent damage.

If your factory bumper is equipped with BSM sensors, remove the bumper corner cover using a 10mm socket and #4 Allen tool.

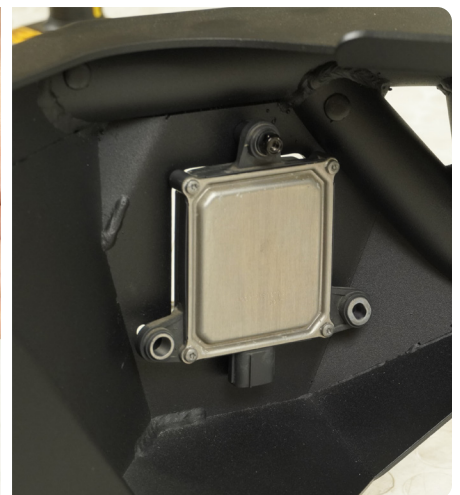
Keep the outside (3) long M6 bolts since they will be reused.



STEP 19 | Install the blind spot monitoring sensors using 3 of the provided plastic spacers on each bolt hole.

Use the provided M6 hardware, an 10mm socket and #4 Allen tool to secure the sensors and spacers in place.

Note: BSM will only work on 18-21 models.

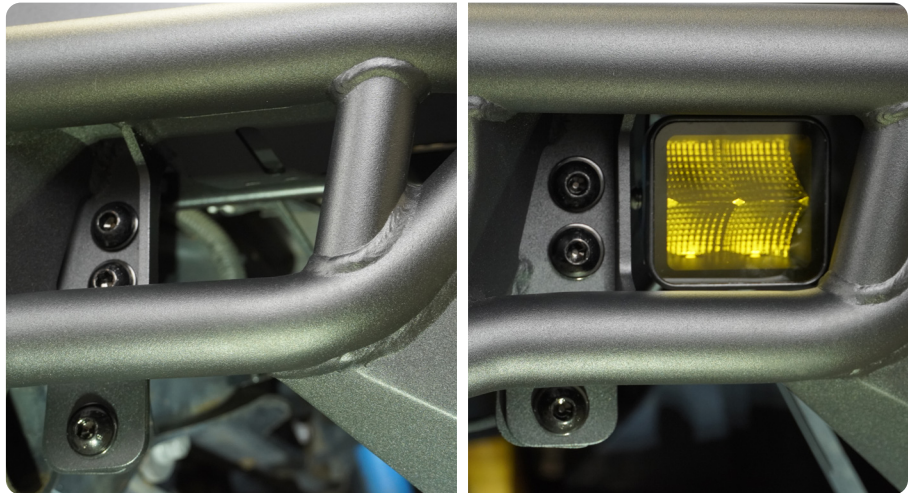


INSTALLATION MANUAL

STEP 20 | If your vehicle is not equipped with Blind Spot Monitoring Sensors the mesh/light bracket will accept up to an 3" pod light.

If you are planning to run pod lights, install them now using the hardware that is provided with the pod light.

For this install, we used DV8 3" Elite Series LED Pod Lights.

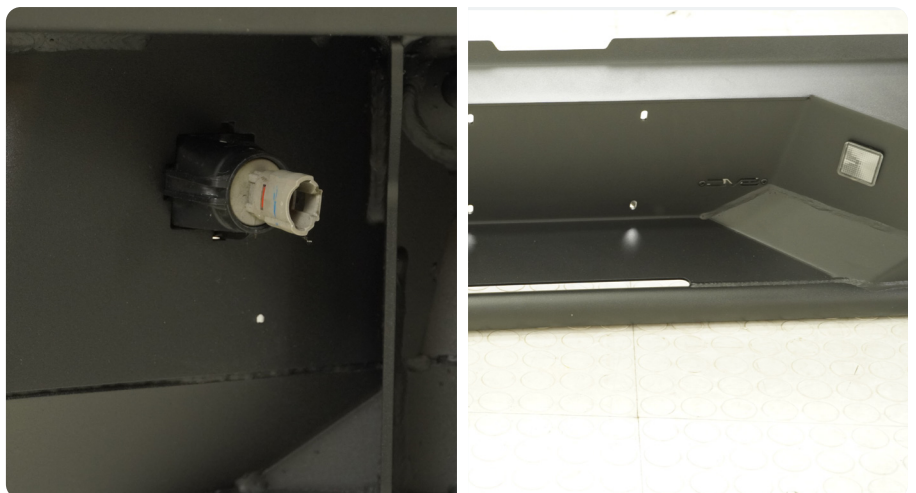


STEP 21 | Insert the trailer connector socket through the front of the bumper.

Ensure both retaining tabs click in.



STEP 22 | Insert the factory license plate light housings through the front of the bumper.



INSTALLATION MANUAL

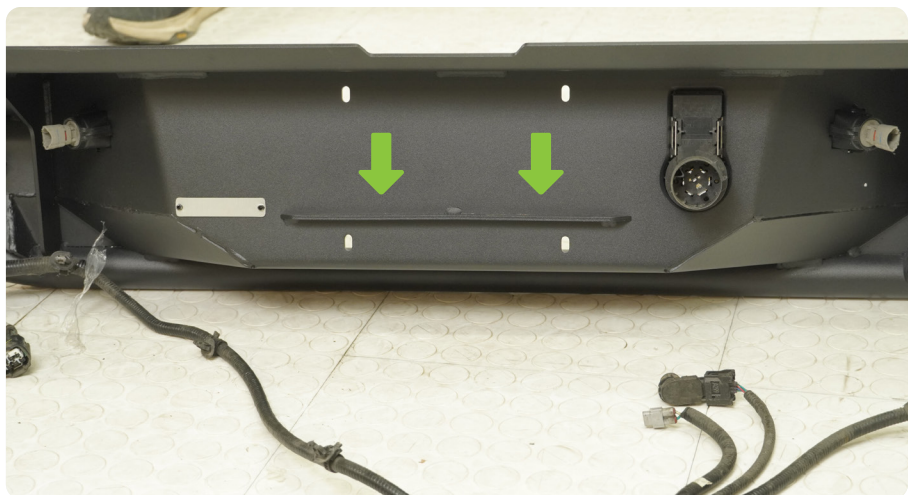
STEP 23 | Install your parking sensors into your new bumper.

First press the mounting ring in from the front side of the bumper, then push the sensors into place from the back side.

Make sure to install your sensors in the same position/order as they came off your old bumper. (E.g. Outside left sensor must be placed back in the front left position)



STEP 24 | Connect the license plate light harness to the license plate light housing using the provided zip tie tabs to secure any loose wiring.



INSTALLATION MANUAL

STEP 25 | Remove the (3) of the tow hitch mounting bolts from each side using an 18mm socket.



STEP 26 | Mount the provided bumper brackets using the tow hitch factory hardware previously removed.

Loosely secure the hardware using a 18mm socket.



INSTALLATION MANUAL

STEP 27 | With assistance, mount the DV8 rear bumper on to the vehicle.

Use the provided allen head hardware and a 19mm wrench and #5 allen to loosely secure the bumper on the vehicle.

Use (4) bolts per side with (2) washers per bolt.



INSTALLATION MANUAL

STEP 28 | Center the bumper side to side and up and down.

Ensure that the tailgate opens and closes with out contacting the bumper.

Secure hardware until bumper is tight.



STEP 29 | Reconnect the trailer connector socket, license plate light harness, blind spot sensor harness & parking sensor harness.

Note: If the spare tire prevents trailer connector socket harness from seating 100%, remove trailer connector socket from the bumper half way, connect harness to socket and install socket back into the bumper.



STEP 30 | The lower factory mounts will be exposed with this bumper design. It is optional to trim these. It will not effect the bumper or towing capacity.



INSTALLATION MANUAL

STEP 31 | Double check that all hardware is secured.

Congratulations!!! Installation of the DV8 Tube Series Rear Bumper is now complete.

